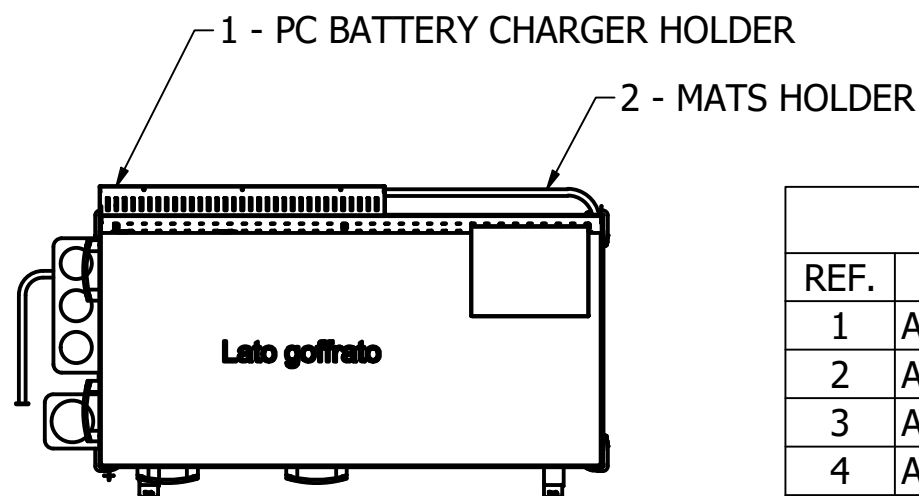
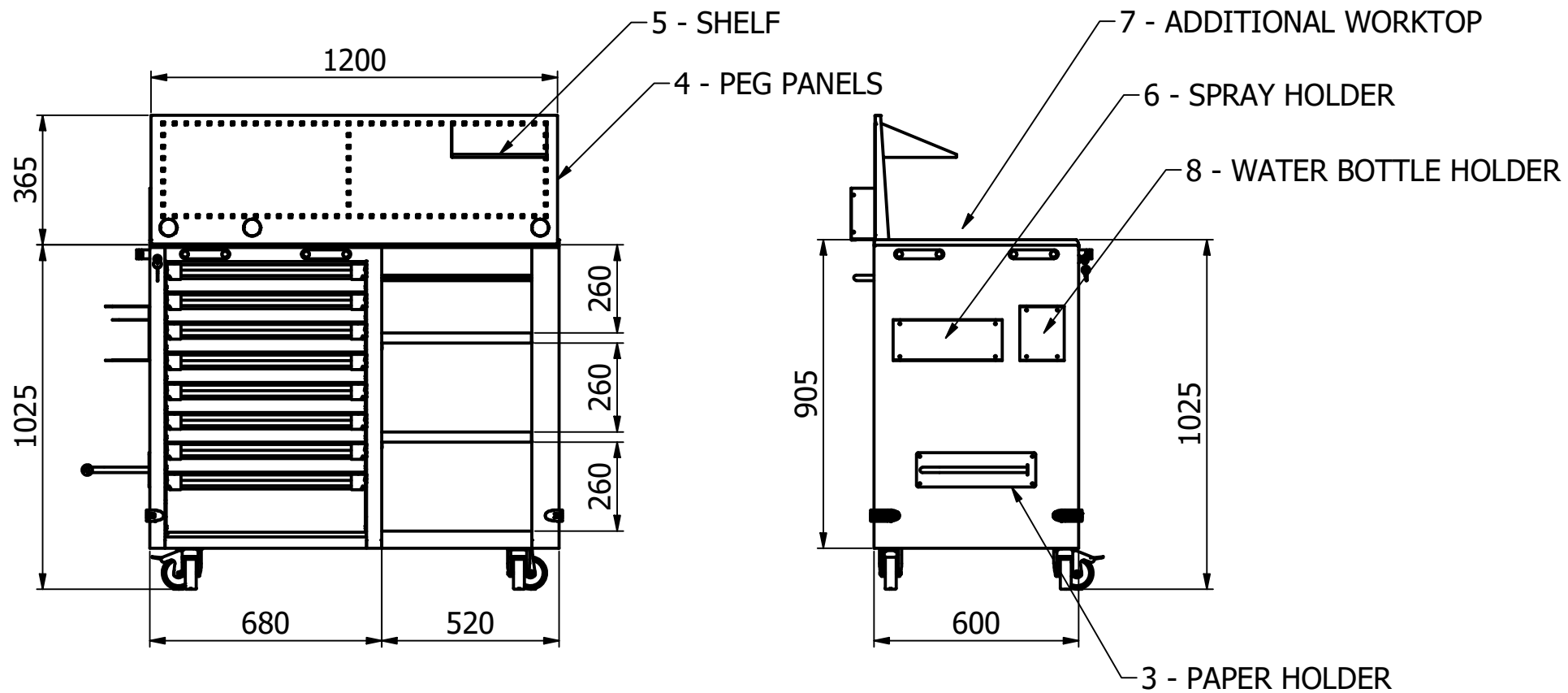


DEA srl
 Via Masaccio, 15
 42124 Z.I. Mancasale (RE) ITALY
 Tel. +39 0522 1533038
 Fax +39 0522 1544470
 info@deaworklab.it
 export@deaworklab.it
 www.deaworklab.it

AR-442.11



TROLLEY ACCESSORIES		
REF.	CODE	DESCRIPTION
1	AR-442.11-BH	PC BATTERY CHARGER HOLDER
2	AR-442.11-MH	FENDER COVER MATS HOLDER
3	AR-442.11-PH	PAPER HOLDER
4	AR-442.11-PP	PEG PANELS
5	AR-442.11-S	SHELF FOR LUNCH BOX
6	AR-442.11-SH	SPRAY HOLDER
7	AR-442.11-W	ADDITIONAL WORKTOP
8	AR-442.11-WH	WATER BOTTLE HOLDER
9	AR-442.11-LH	LAPTOP HOLDER

